

INSTALLATION MANUAL

STANDING SEAM

4 Trident Drive
Lewiston Industrial Park
Lewiston, Maine 04240

Tel. (207) 782-4684
Fax (207) 784-5513

Email: mtlroofs@yahoo.com
Web: www.metalroofingme.com



TABLE OF CONTENTS

Preparation and Considerations, Tools, Safety	3
Installation Key	4
Drip Edge	5,6
Skylight Flashing	7
Decktite Boot	8
Valley Cap and Lock Strips	9, 10, 11
Chimney Flashing	12, 13, 14
Rake Flashing	15
Wall Flashing	16
Pitch Break Flashing	17
Ridge Cap and Hip Cap Flashing with Univent	18



PREPARATION AND CONSIDERATIONS

- Prepare an area for product drop-off and storage.
- In most cases, product is delivered and cut to length on site.
- The material should be checked against the shipping list upon delivery. Any discrepancies should be reported to our office immediately.
- Standing seam metal roofing must be installed on roofs with a minimum pitch of 3/12.
- Check the roof for any weak or uneven spots prior to installation. Repair if necessary.
- Proper roof underlayment includes: existing shingles (no more than two layers), 30lb. felt paper, Roof Guard, Equal or Ice and Water Shield.
- Do not use pressure treated lumber as a solid backing.
- If re-roofing, remove all dissimilar materials such as lead, copper and aluminum prior to installation.
- To ensure that metal remains in optimal condition, install as soon as possible after delivery.
- If materials must be stored for an extended period of time, store in a cool, dry, well-ventilated area. Moisture trapped between sheets may cause damage.
- To avoid scratching paint, be sure to clean the bottom of your rubber-soled shoes before stepping on roofing.



TOOLS

- Tin Snips
- Nibblers
- Measuring Tape
- Rubber Mallet
- Ladder
- Hammer
- Drill with 5/16 Adapter
- Tongs
- Snips (Right and Left)

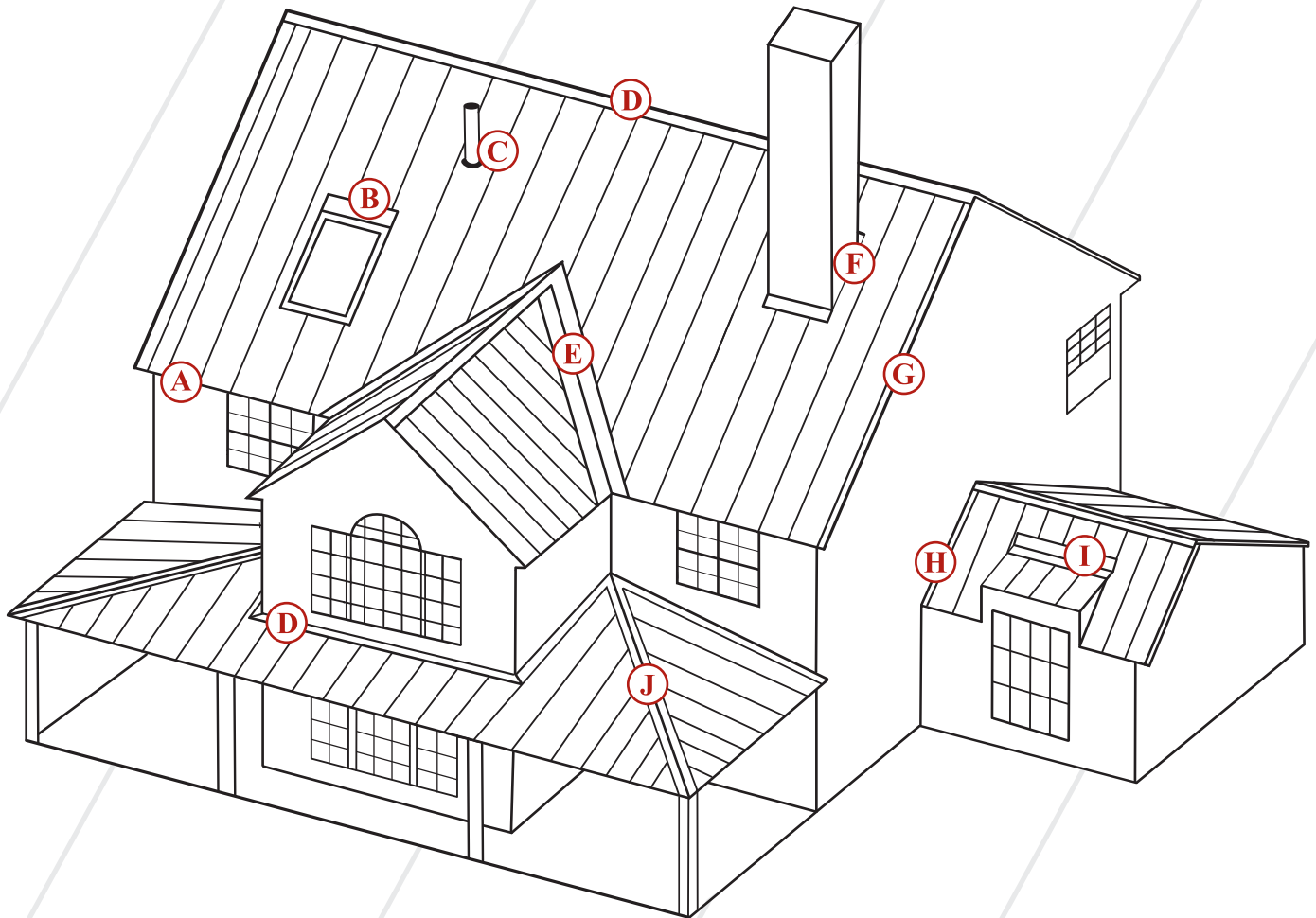


SAFETY

- Always use extreme caution when working on roof.
- Wear gloves and safety glasses.
- Metal panels can become slippery, especially when wet, dusty or oily.
- Wear black rubber-soled shoes to improve traction.
- Avoid installing on a windy day.
- Secure area below roof while working.
- To view complete safety requirements, consult OSHA guidelines.



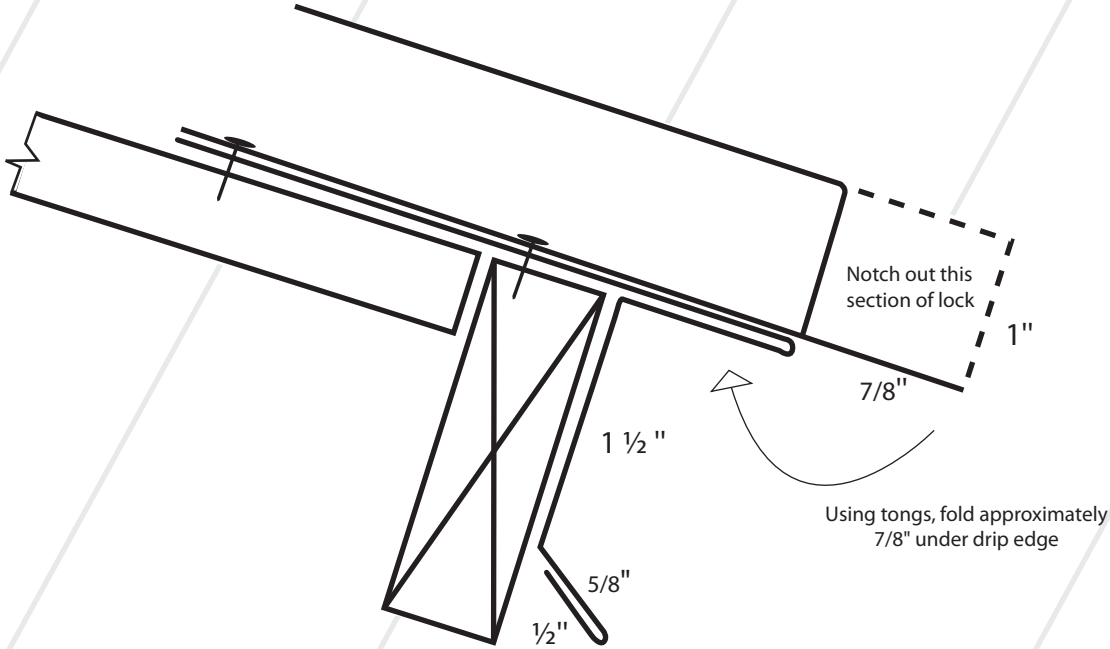
INSTALLATION KEY



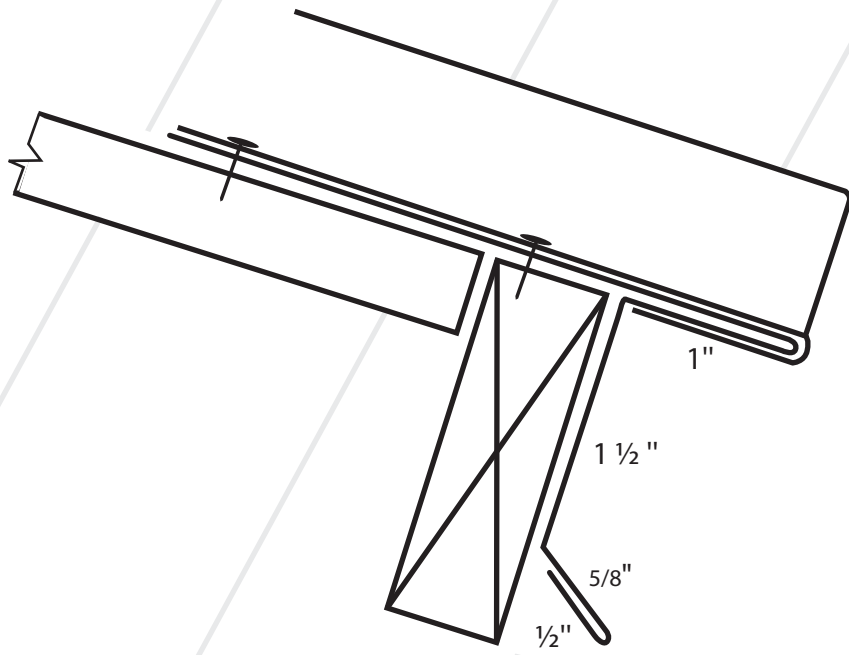
- A** Drip Edge
- B** Skylight Flashing
- C** Decktite Boot
- D** Ridge Cap with Univent
- E** Valley Cap and Lock Strips
- F** Chimney Flashing
- G** Rake Flashing
- H** Wall Flashing
- I** Pitch Break Flashing
- J** Hip Cap Flashing with Univent

DRIP EDGE

1)



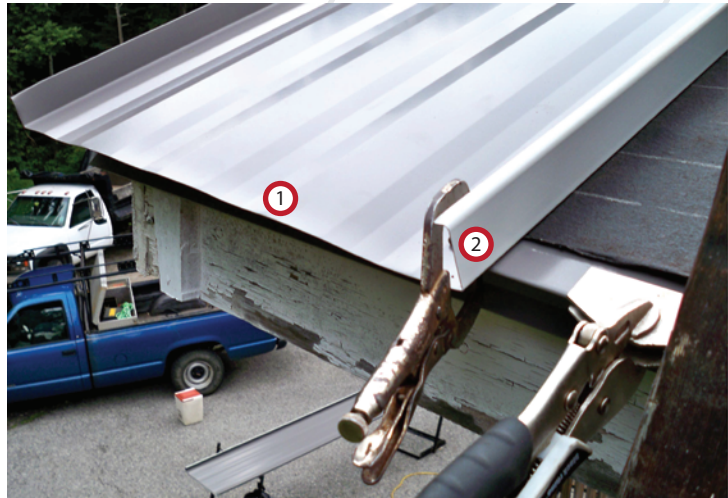
2)



DRIP EDGE

1) Allow panel to hang down 7/8" down past drip edge

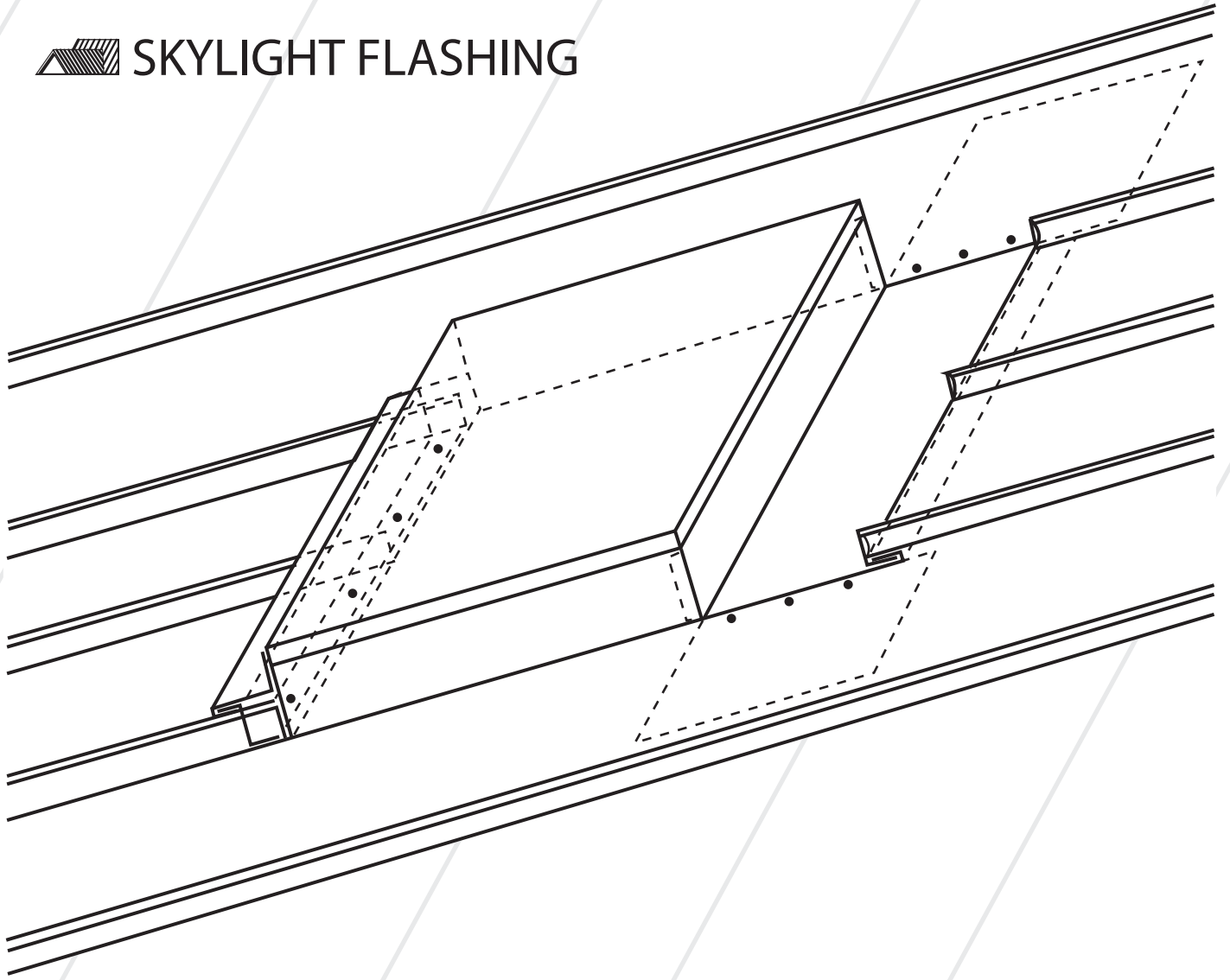
2) Notch out standing seam rib



3) Using tongs slowly fold panel around existing drip edge

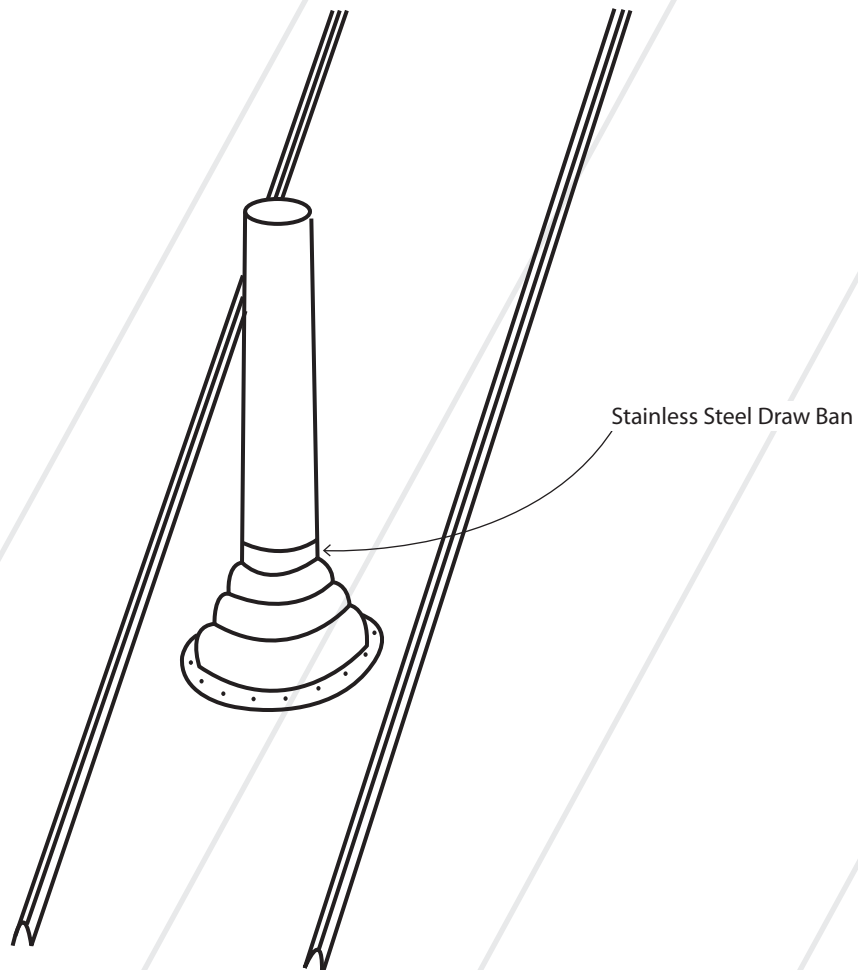


SKYLIGHT FLASHING



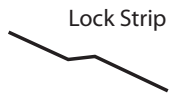
- 1) First, install the back of skylight.
- 2) Mark and fit around top of skylight.
- 3) Leave one inch tabs on upright.
- 4) Allow flat portion on roof to extend eight inches beyond skylight on either side.
- 5) Use flashing kit from skylight to counter flash or bend up your own flashing.

DECKTITE BOOT

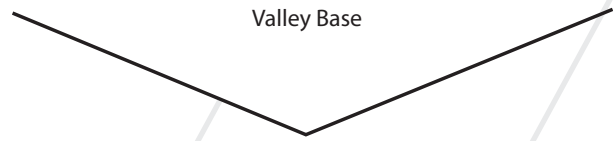


- 1) Try to lay out roof so that the pipe will fall on the flat portion of a panel
- 2) Measure hole placement, use small piece of scrap metal for a template
- 3) Place template on panel, mark and cut hole
- 4) Caulk bottom of boot
- 5) Place boot over pipe, top of boot may have to be trimmed
- 6) Screw boot down with 1" fasteners
- 7) Tighten Stainless Steel draw Ban around top of boot
- 8) If the pipe happens to fall on a rib, the boot may be installed over rib

VALLEY

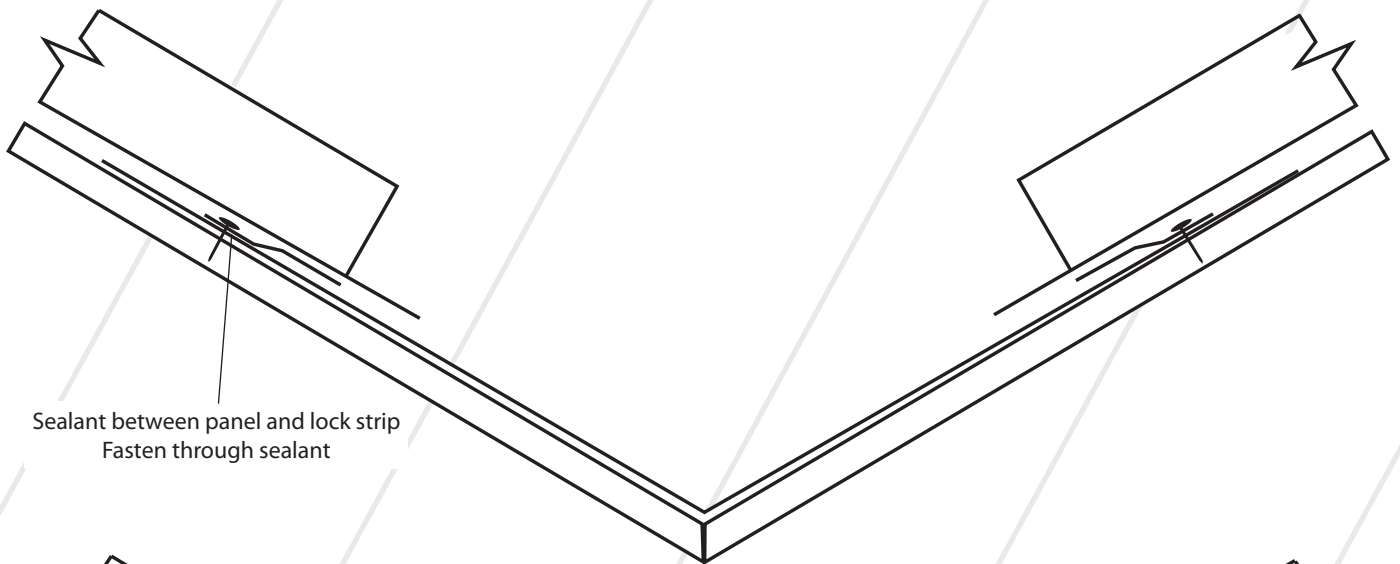


Lock Strip

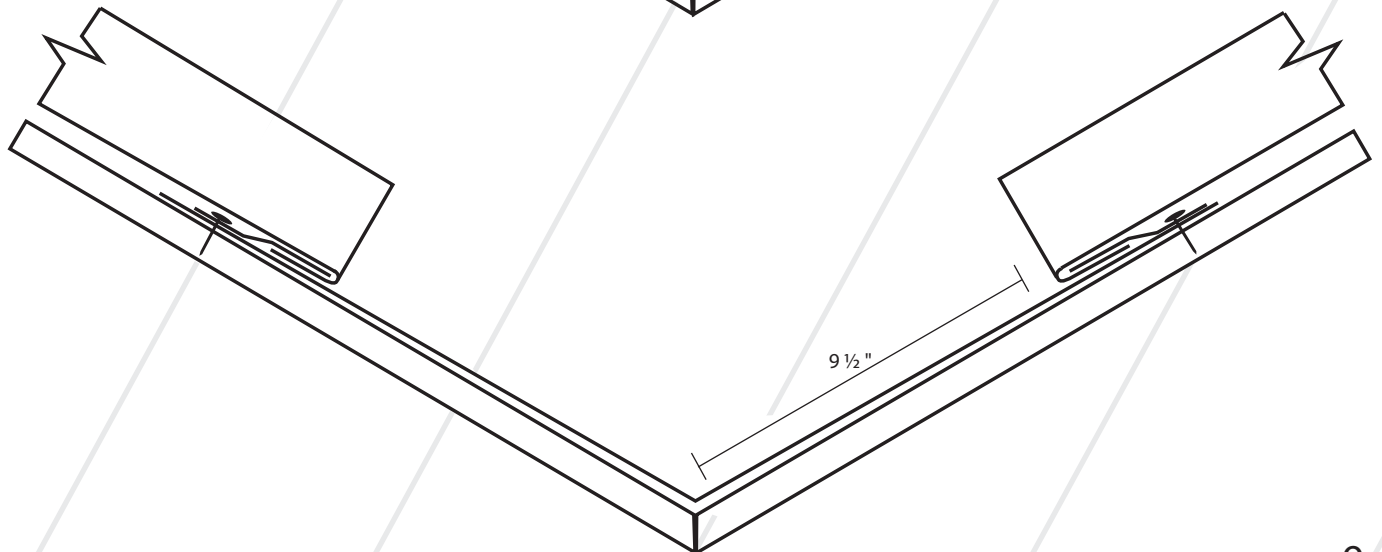


Valley Base

- 1) Install lock strip approximately $9\frac{1}{2}$ " from center of valley with sealant
- 2) Mark panel or measure cut angle
- 3) Add an extra 1" necessary to bend for lock strip
- 4) Bend panel 180° leave open about $\frac{1}{8}$ "
- 5) Lock panel into lock strip



Sealant between panel and lock strip
Fasten through sealant



$9\frac{1}{2}$ "



1) Set valley in place



2) Trace bottom side , add a one inch tab

3) Bend flat portion around drip edge

4. Mark the panel to fit existing condition.

5. Add one inch and fold panel under

6. This will lock into the lock strip

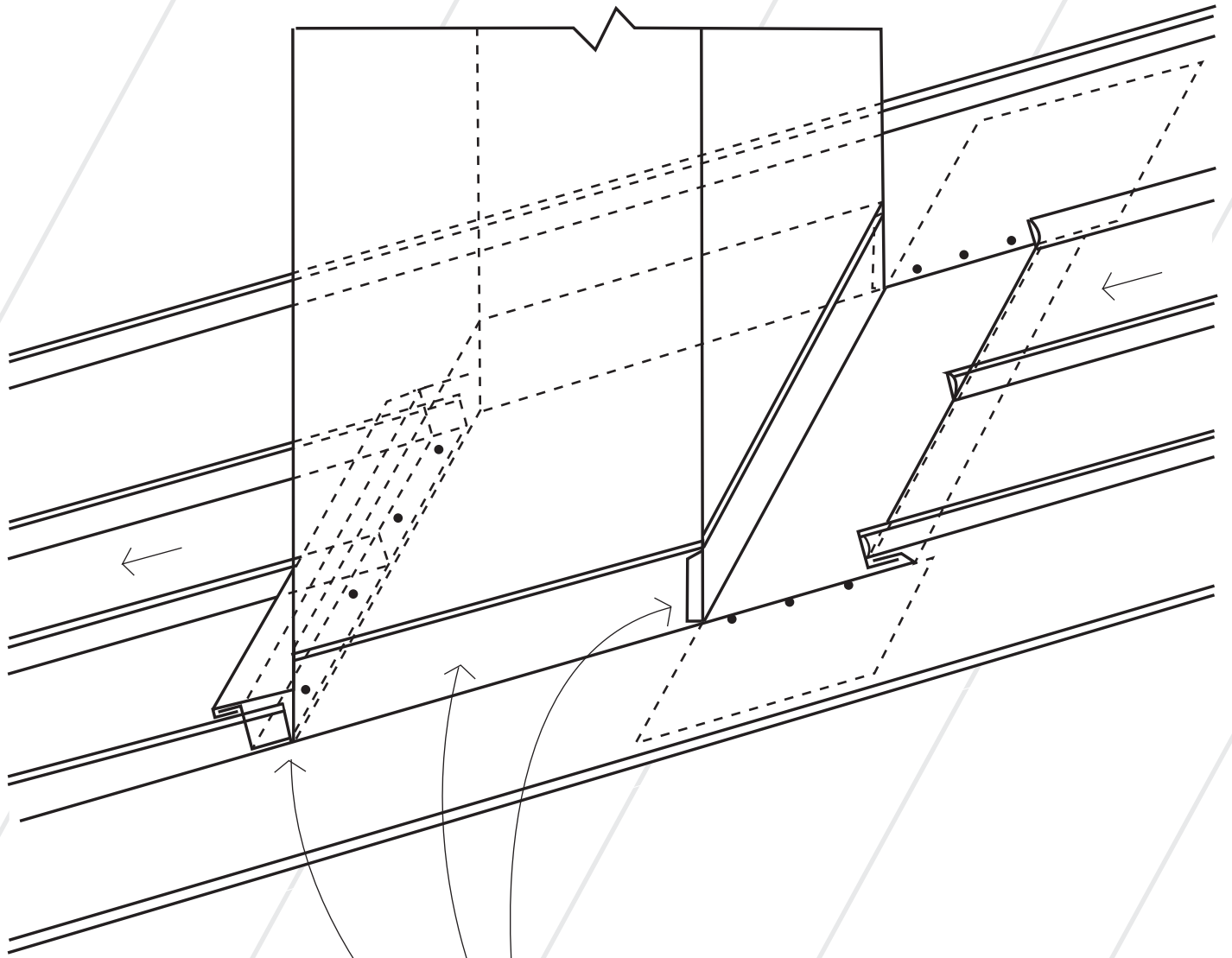
7. Caulk the top of lock strip



8. Slide panel into place



CHIMNEY FLASHING



- 1) Add 1" tab on chimney back
- 2) Bend Flat portion of panel up sides of chimney
- 3) Bend 1" pan on panels

CHIMNEY

1) Place chimney back behind chimney



2) Cut piece down to size



3) Add tabs

4) Fold tabs around chimney

5) Notch and fold top lock

6) Carry line parallel from chimney to top of lock

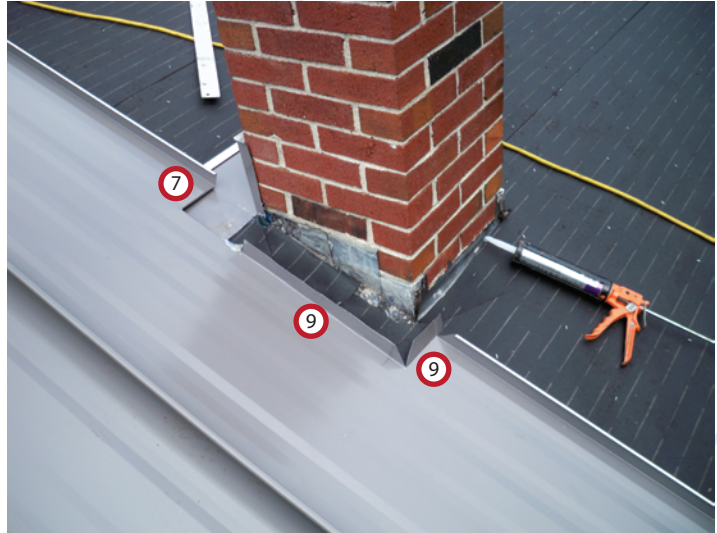


CHIMNEY

7) Lock to flashing

8) Measure and mark panel to fit around chimney, make sure to leave material for tabs and locks

9) Bend 1 1/2" up side of chimney



10) Place panel in sealant before installing

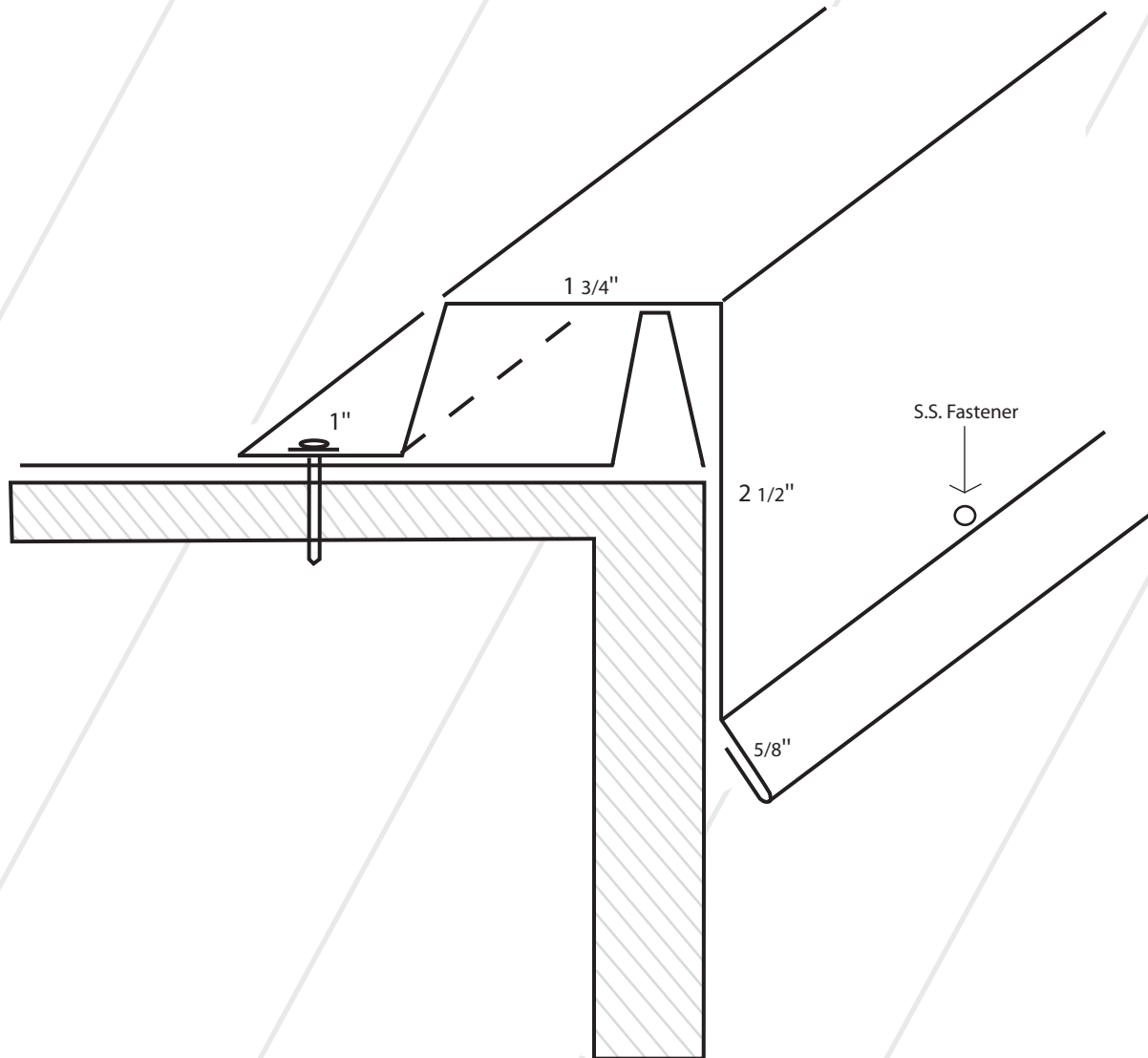
11) Put panel in place, make sure to hook in lock strip

12) Use 1" screws to fasten edge

13) Continue same process with next panel

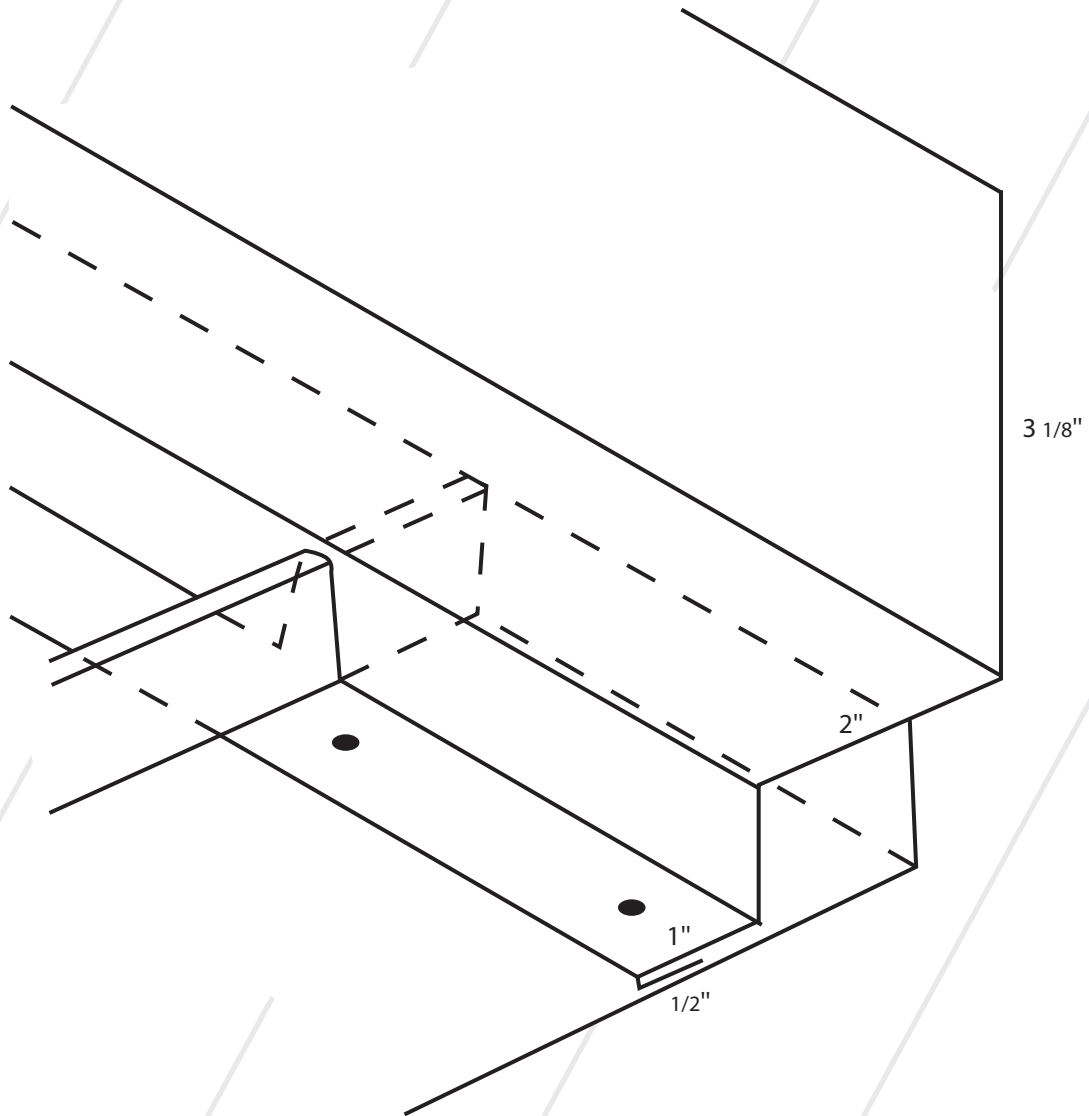


RAKE FLASHING



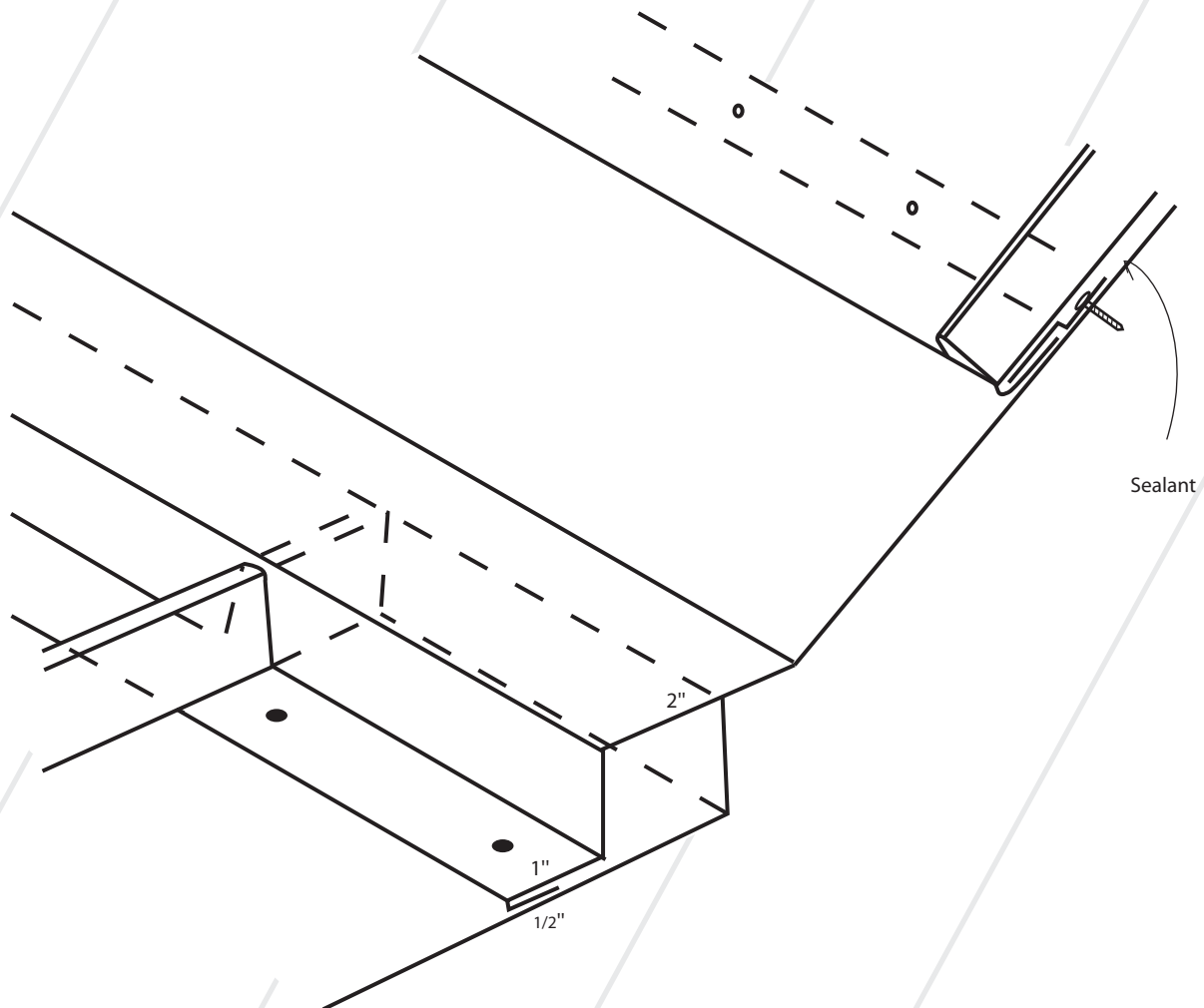
- 1) Fasten one inch screws two feet apart through panel.
- 2) Nail stainless steel finish nails into rake board two feet apart.
- 3) Overlap rake flashing a minimum of two inches.

WALL FLASHING



- 1) Bend 1" pan in panel against the wall.
- 2) Notch flashing around rib.
- 3) Caulk and seal around ribs.
- 4) Fasten with 1" screws.

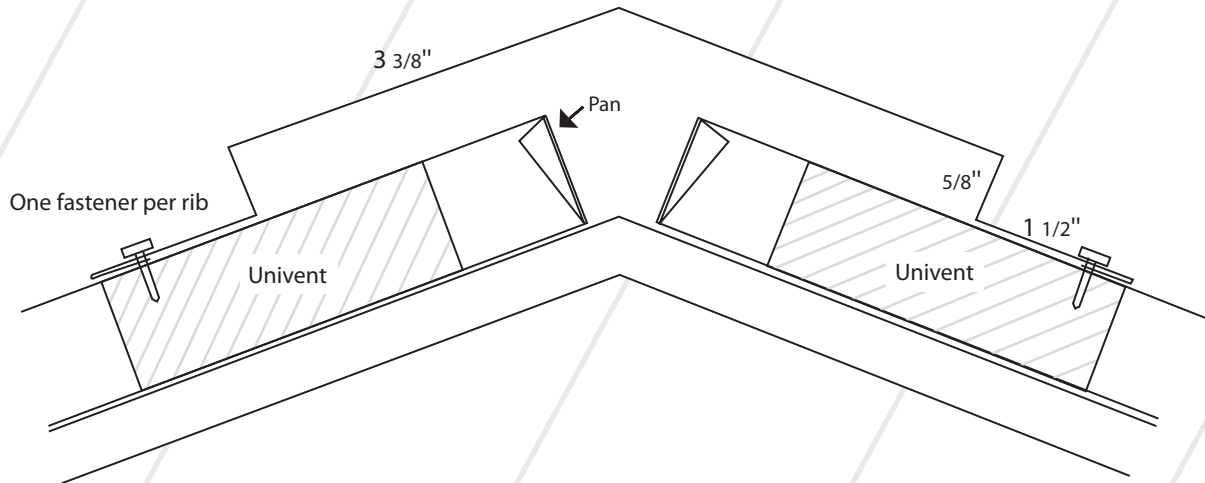
PITCH BREAK FLASHING



- 1) Notch flashing to fit around panel ribs.
- 2) Fasten pitch break flashing to lower panel with one inch screws.



RIDGE CAP and HIP CAP with UNIVENT



- 1) Measure down from peak. Mark ribs approximately 4 1/4" down from ridge.
- 2) Drape Univent over standing seams slightly above mark.
- 3) Place cap over center of ridge and fasten with 1" fasteners.
- 4) Overlap ridge by a minimum of 2" with caulking or sealant between layers.
- 5) Ridge ends are finished by leaving 1" of material to fold over rake.